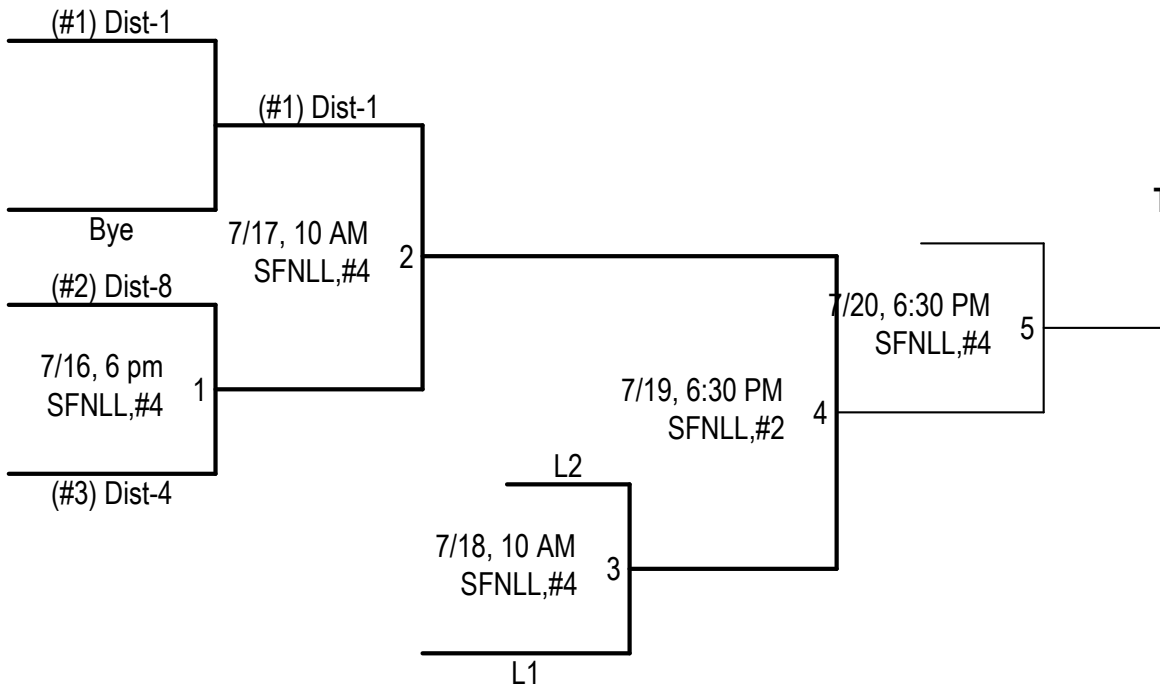


**2010 STATE 10/11 SOFTBALL**  
**JULY 16-20, 2010**  
**FRANKLIN MILES PARK, FIELD #5**  
**1027 CAMINO CARLOS REY**  
**SANTA FE, NM**  
**TOURNAMENT DIRECTOR: F.M. GUERRA**  
**(505-667-2143, 505-690-5732)**



FRIDAY | SATURDAY | SUNDAY | MONDAY | TUESDAY |